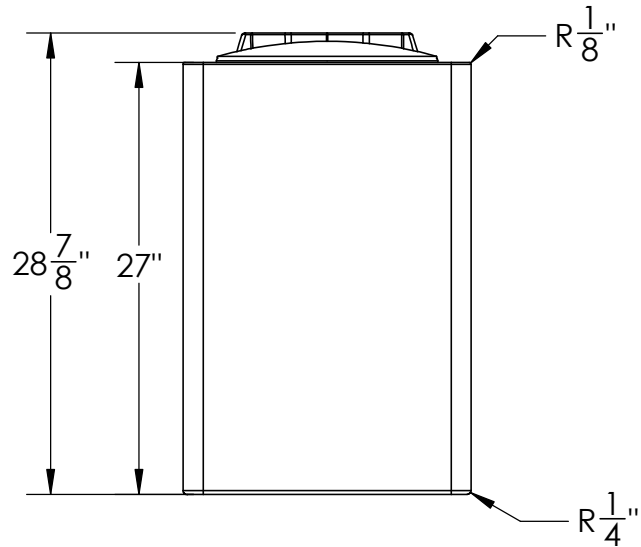


12" Closed Non-vented Lid
#970327

12" Lid Ring with Gasket
#970328



| | | | |
|---|-------------------|--|-------------|
| DIMENSIONS ARE IN INCHES TOLERANCE: ± 1/4" | | NAME | DATE |
| MATERIAL | LLDPE - FDA resin | DRAWN | NJV 4/30/24 |
| CAPACITY | | APPROVED | |
| GRADUATIONS | NO | COMMENTS: Natural, Black UV Stabilized | |
| NOMINAL WALL THICKNESS | 1/4" | | |

35 Gallon Natural Utility
Tank with
Gasketed Ring & Lid



1390 Neubrecht Road
Lima, Ohio 45801

STOCK NO. **23752, 23753** REV **A**

DO NOT SCALE DRAWING

WEIGHT: 22 lbs.

PROPRIETARY AND CONFIDENTIAL

THE INFORMATION CONTAINED IN THIS DRAWING IS THE SOLE PROPERTY OF TAMCO. ANY REPRODUCTION IN PART OR AS A WHOLE WITHOUT THE WRITTEN PERMISSION OF TAMCO IS PROHIBITED.

MAX. OPERATING TEMP. 140°F
INTERMITTENT SERVICE TO 160°F
SEE CHEMICAL RESISTANCE
CHART FOR COMPATIBILITY